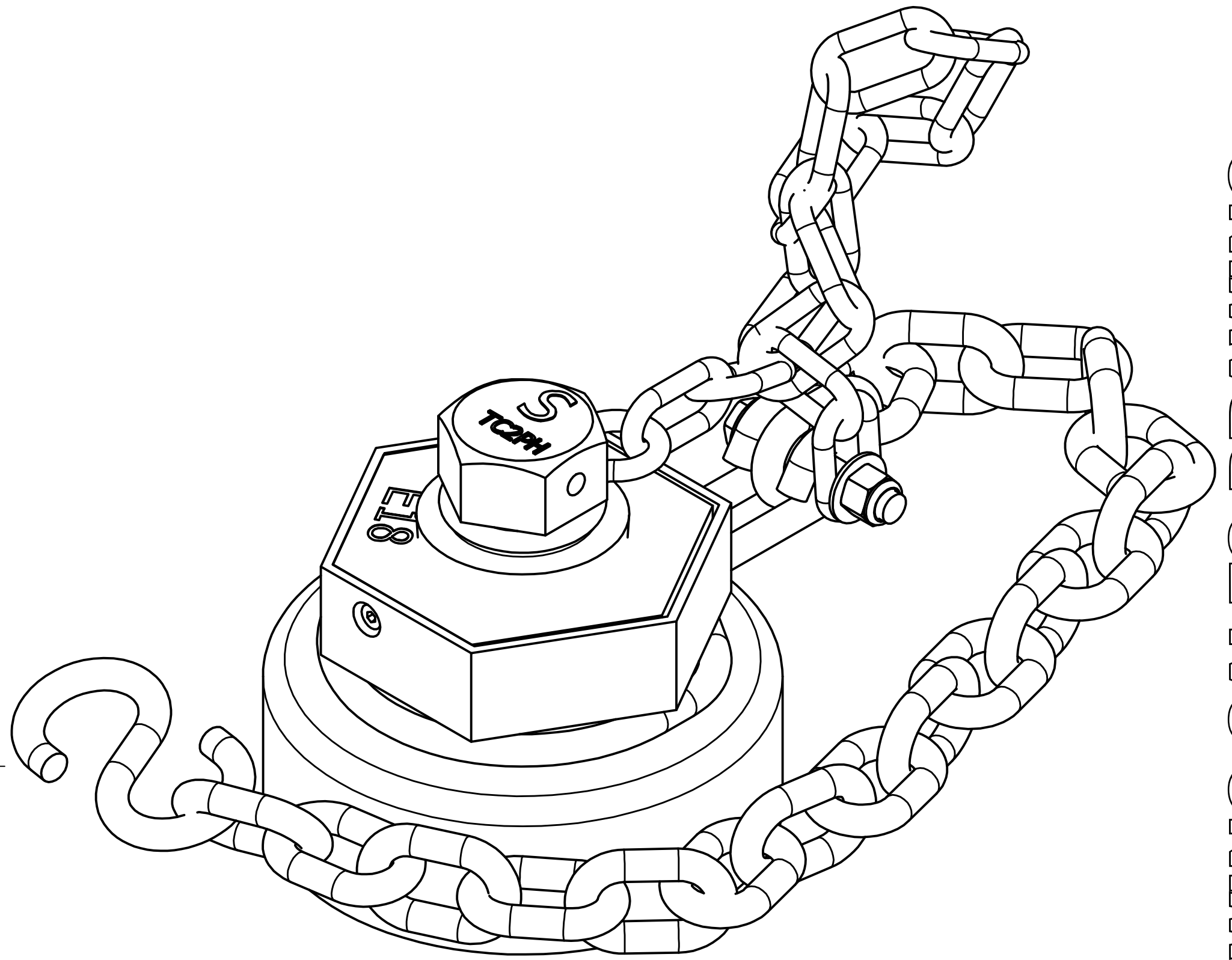
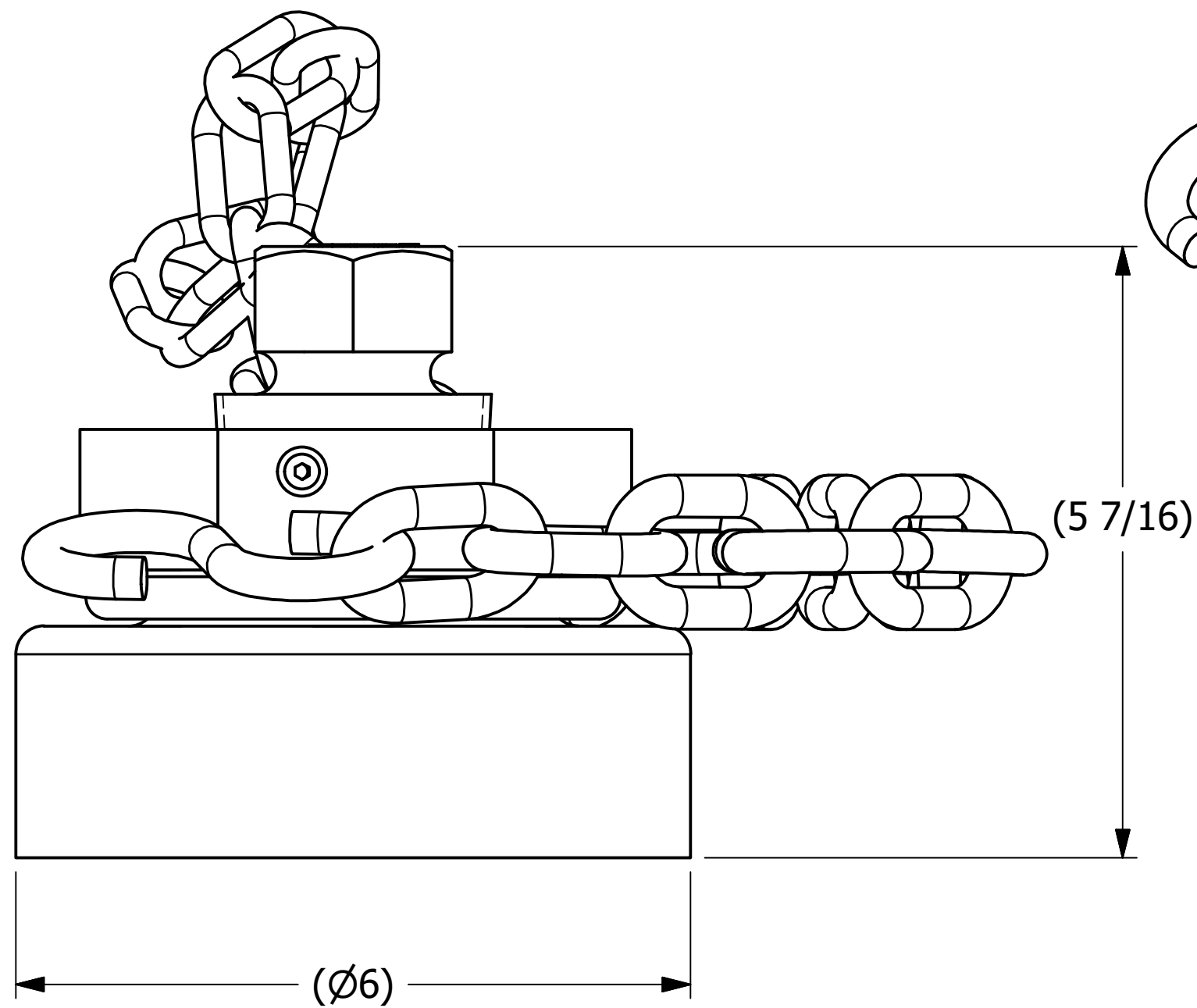


SALES DRAWING SALES DRAWING SALES DRAWING SALES DRAWING SALES DRAWING

SALES DRAWING SALES DRAWING SALES DRAWING SALES DRAWING SALES DRAWING



NOTE:
 5 1/4"-4 UN-2B THREADS CONFORM TO ANSI B1.1 AND
 FIGURE E18 FROM APPENDIX E OF THE AAR TANK CAR MANUAL.

UNLESS OTHERWISE SPECIFIED DIMENSIONAL TOLERANCES FRACTIONAL: $\pm 1/16$ X.XX: $\pm .03$ X.XXX: $\pm .015$ ANGLE: $\pm 1^\circ$ DEBURR ALL SHARP EDGES. ALL MACHINED SURFACES TO HAVE A 125 RMS FINISH UNLESS NOTED OTHERWISE. THIRD ANGLE PROJECTION	DRAWN BY:	CHL
	CHECKED BY:	VD
	PROTOTYPE DATE:	2/13/2014
	APPROVED FOR PRODUCTION BY:	VD
	PRODUCTION DATE:	2/13/2014
	SIZE:	C
DRAWING #:	38340	

D	BP	9/8/22	202209161554	BP
REV	BY	DATE	REF #	PUB
PART NAME: BOTTOM OUTLET CAP 4"				
MATERIAL: ALUMINUM				
PROJECT #: 140213FR		SHEET #: 1 OF 1		SCALE: 3:4
PART #: TC46BCALA				